

BEFORE BEGINNING INSTALLATION, READ ALL INSTRUCTIONS

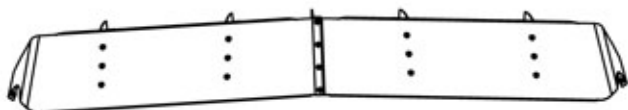
INSTALLATION INSTRUCTIONS

- 1- REMOVE THE EXISTING SUN VISOR AND RETAIN HARDWARE.
- 2- INSTALL THE BRACKETS ONTO THE CAB WITH THE RETAINED HARDWARE, DO NOT TIGHTEN.
- 3- TEMPORARILY INSTALL THE SUN VISOR AS ILLUSTRATED.
- 4- AT BOTH ENDS REMOVE DOOR GASCKETS AND PUSH THE SUN VISOR IN PLACE AND MARK HOLES IN DOOR FRAME.

CAUTION

REMOVE SUN VISOR TO PREVENT DAMAGE

- 6- DRILL THE PREVIOUSLY MARKED OUT HOLES AT 25/64" (.390625")IN. DIA.
- 7- INSERT THE THREADED INSERT.
- 8- REINSTALL THE SUN VISOR ON THE CAB.
- 9- TIGHTEN ALL BOLTS AND SCREWS FIRMLY.

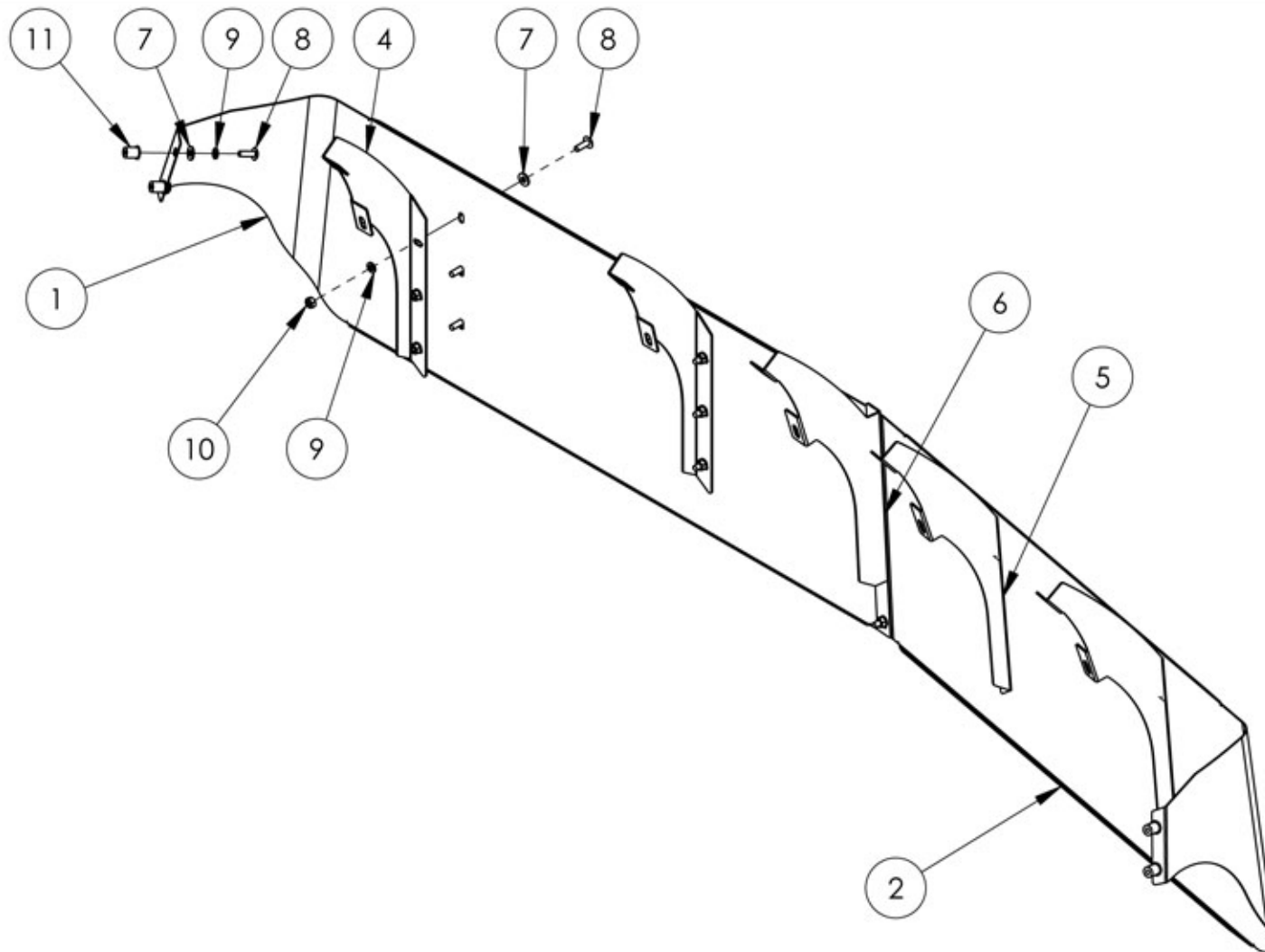


TRUX ACCESSORIES

TITLE:
SUN VISOR FREIGHTLINER
BUSINESS CLASS M2 2006 & UP

SIZE DWG. NO.
A **TSUN-F28**

NAME	DATE	REV	DATE
DRAWN BY P.W.	-	PH1	-
SCALE: 1:8	WEIGHT: LBS	SHEET: 1 OF 1	



ITEM NO.	PART NO.	DESCRIPTION	QTY
1	M7331014SG	SUN VISOR PANEL	1
2	M7331014SD	SUN VISOR PANEL	1
3	K7331014BH	HARDWARE KIT INCLUDES	1
4	-	PR9331014-G00	2
5	-	PR9331014-D00	2
6	-	PR9331014-C00	1
7	-	FLAT WASHER 1/4"	20
8	-	TRUSS PHILIPS 1/4"-20NCX3/4"SS	20
9	-	LOCK WASHER 1/4" SS	20
10	-	HEX NUT 1/4-20NC	16
11	-	LF,INSERT STL 1/4"-20NC X.160	4

TRUX ACCESSORIES			
TITLE: SUN VISOR FREIGHTLINER BUSINESS CLASS M2 2006 & UP			
SIZE A	DWG. NO. TSUN-F28		
NAME	DATE	REV	DATE
DRAWN BY P.W.	-	PH1	-
SCALE: 1:8	WEIGHT: LBS	SHEET: 1 OF 1	