

## READ ALL INSTRUCTIONS BEFORE BEGINNING INSTALLATION

### INSTALLATION INSTRUCTIONS

- 1- REMOVE THE EXISTING SUN VISOR (But keep #6 & 8 Recover brackets from OEM visor)
- 2- INSTALL THE BRACKETS ON THE PANELS AS ILLUSTRATED.
- 3- TEMPORARILY INSTALL THE SUN VISOR ONTO THE CAB AS ILLUSTRATED.
- 4- USE RECOVERED HARDWARE FOR HOLES ON BOTH ENDS OF SUN VISOR.
- 5- MARK BRACKET MISSING HOLES ON CAB.

### ATTENTION

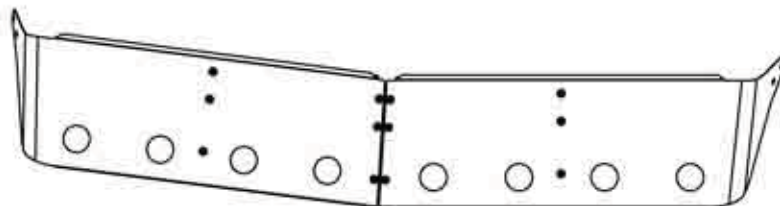
#### REMOVE SUN VISOR BEFORE DRILLING TO PREVENT DAMAGE

- 6- DRILL MARKED HOLES AT 7/32" (.21875) DIA.
- 7- IF WITHOUT LIGHTS; SKIP TO STEP#11.
- 8- INSTALL THE LIGHTS ON SUN VISOR
- 9- CONNECT THE LIGHTS AND DIRECT WIRE TOWARDS CENTER.
- 10- FASTEN THE SUN VISOR AS ILLUSTRATED.
- 11- REINSTALL THE SUN VISOR ON THE CAB.

### CAUTION

**IT IS THE RESPONSIBILITY OF THE INSTALLER TO PLAN AHEAD THE ADEQUATE ELECTRICAL CONNECTION ACCORDING TO THE STANDARDS OF THE TRUCK MANUFACTURER AND DOT REGISTRATION.**

- 12- CONNECT LIGHTS HARNESS TO THE TRUCK.
- 13- TIGHTEN ALL BOLTS AND SCREWS FIRMLY.

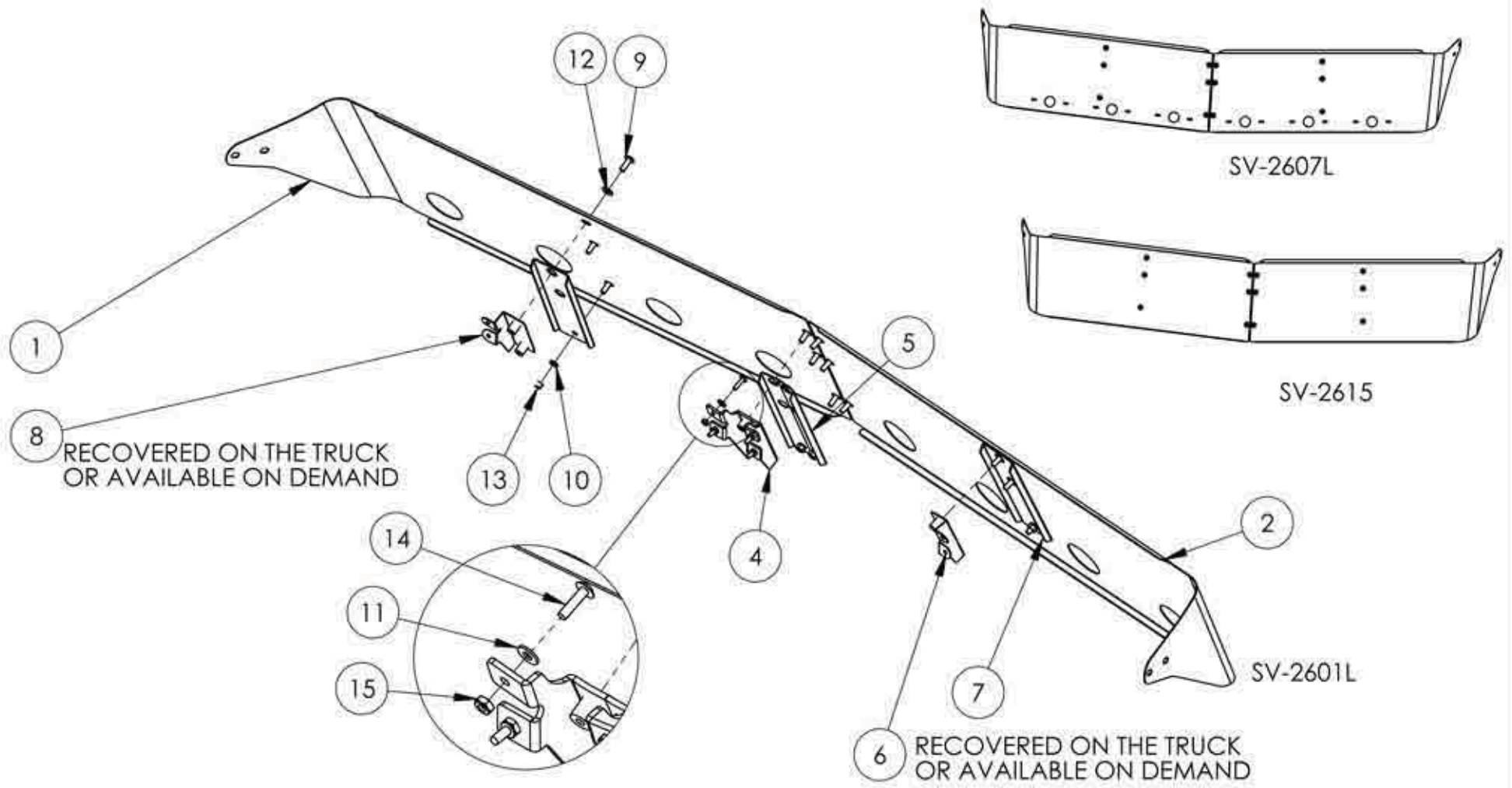


## TRUXACCESSORIES

TITLE:  
SUN VISOR KENWORTH  
CURVED GLASS W900 T800 1998 & UP

SIZE DWG. NO.  
**A** **TSUN-K4**

NAME	DATE	REV	DATE
DRAWN BY P.W.	15-04-2008	PH1	-
SCALE: 1:16	WEIGHT: LBS.	SHEET: 1 OF 1	



ITEM NO.	PART NO.	PART NO.	PART NO.	DESCRIPTION	QTY
1	M7231001SG	M7231007SG	M7231015SG	SUN VISOR PANEL	1
2	M7231001SD	M7231007SD	M7231015SD	SUN VISOR PANEL	1
3	K7231001BH	-	-	HARDWARE KIT INCLUDES:	-
4	-	-	-	PR9231001-C01	1
5	-	-	-	PR9231001-C02	1
6	-	-	-	RECOVERED ON THE TRUCK	1
7	-	-	-	PR9231001-U00	2
8	-	-	-	RECOVERED ON THE TRUCK	1
9	-	-	-	TRUSS PHILIPS 1/4"-20NCX3/4"SS	12
10	-	-	-	LOCK WASHER 1/4" SS	4
11	-	-	-	FLAT WASHER #10	4
12	-	-	-	FLAT WASHER 1/4"	12
13	-	-	-	HEX NUT 1/4-20NC	4
14	-	-	-	TRUSS PHILIPS #10-32NFX3/4"SS	4
15	-	-	-	NYLON LOCK NUT #10-32NF SS	4

**TRUXACCESSORIES**

TITLE:  
SUN VISOR KENWORTH  
CURVED GLASS W900 T800 1998 & UP

SIZE: DWG. NO. **A TSUN-K4**

NAME	DATE	REV	DATE
DRAWN BY P.W.	15-04-2008	PH1	

SCALE: 1:8      WEIGHT: LBS      SHEET: 1 OF 1