

Installation Instructions

I - Sheet Number <PB ULTRA/ FLAT CAB - TSUN-P61 >

For proper installation and best possible fit, please read all instructions BEFORE you begin.
For technical assistance or to obtain missing parts, please call Customer Relations at 1-888-950-2227.

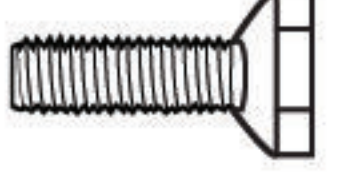
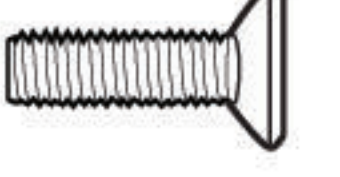
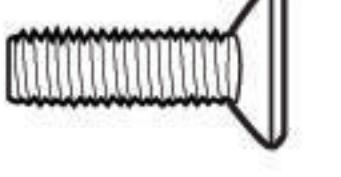






Important Safety Information



- CAUTION - Before installation ensure proper safety precautions have been made prior to installing this product at heights that require a raised elevation requiring use of a ladder or step stool.

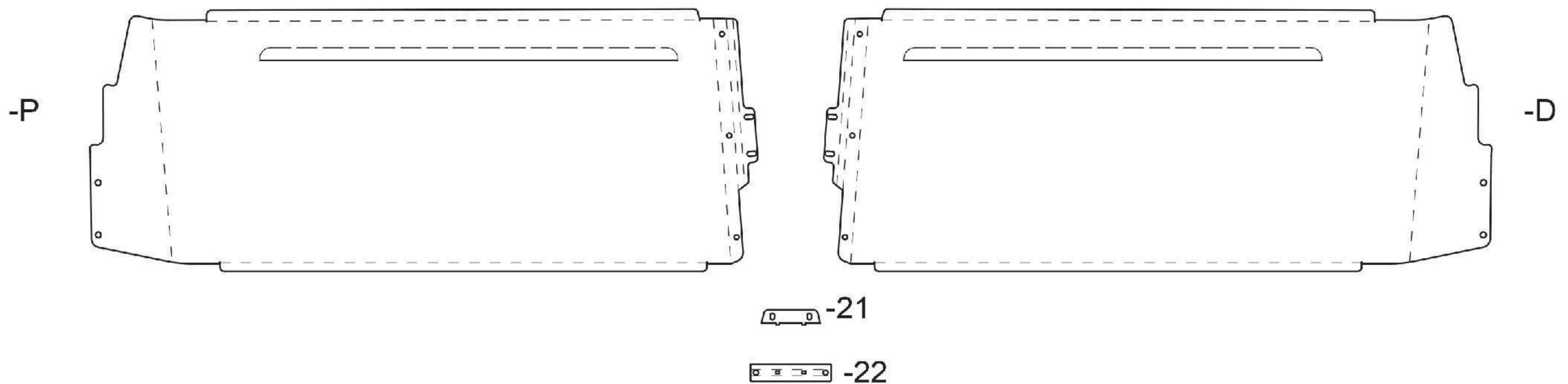
Contents NOTE: Actual product may vary from illustration. Not to Scale

Hardware:

				
3/4" - 1/4 20 Hex Head Bolt x5	3/4" - 1/4 20 Button Head Bolt x8	1" - 1/4 20 Button Head Socket Screw x2	1/4 20 Brass Nutsert x4	
(5) 08315-075	(4) 08318-075	(2) 08345-100	(4) 08175	
				
10-24 Thick Washer x6	1/4 20 Lock Washer x5	1/4 20 Nut x5	1/4 20 Washer x5	10/24 Nyloc Nut x2
(6) 08344-FLATHD	(5) 08315-LOC	(5) 08315-NUT	(5) 08315-FLAT	(2) 08344-NYLC

Contents NOTE: Actual product may vary from illustration. Not to Scale

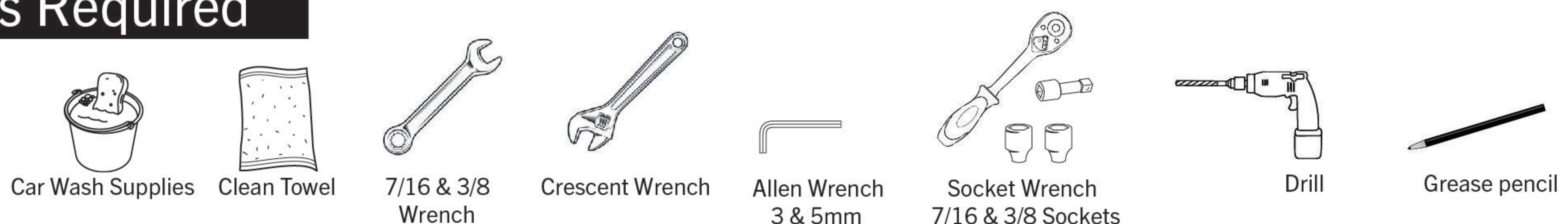
TSUN-P61 Visor: NOTE: Brackets -21 & -22 are a welded bracket, shown separate for illustration purposes



PASSENGER'S SIDE

DRIVER'S SIDE

Tools Required

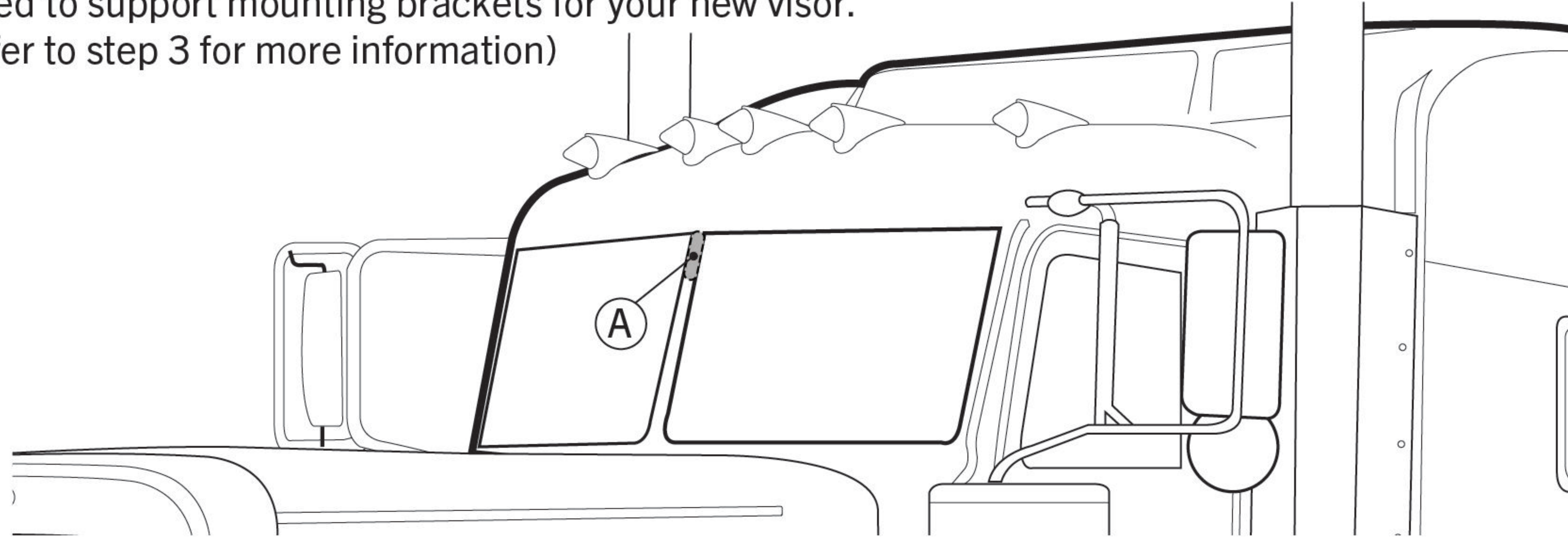


Installation Steps

NOTE: Actual application may vary slightly from illustrations.

Remove the existing visor on your truck and set aside (if applicable). The existing mounting holes from the factory visor will need to be plugged and sealed. Note the "A" location, this will need to be drilled to support mounting brackets for your new visor. (Refer to step 3 for more information)

1



Socket Wrench
3/8 Socket



7/16 & 3/8
Wrench

Remove the protective film at this point. Assemble your visor following the exploded view (below) to align the brackets with their associated counter bracket as shown. Note, visor skins mount parallel to one another, align centers accordingly. -21/-22 Bracket will mount between visor skins.

Using hardware provided: (08315-075), 08315-FLAT/ LOC/ NUT, join the welded bracket to the rear of the visor skins



Socket Wrench
7/16 & 3/8 Sockets



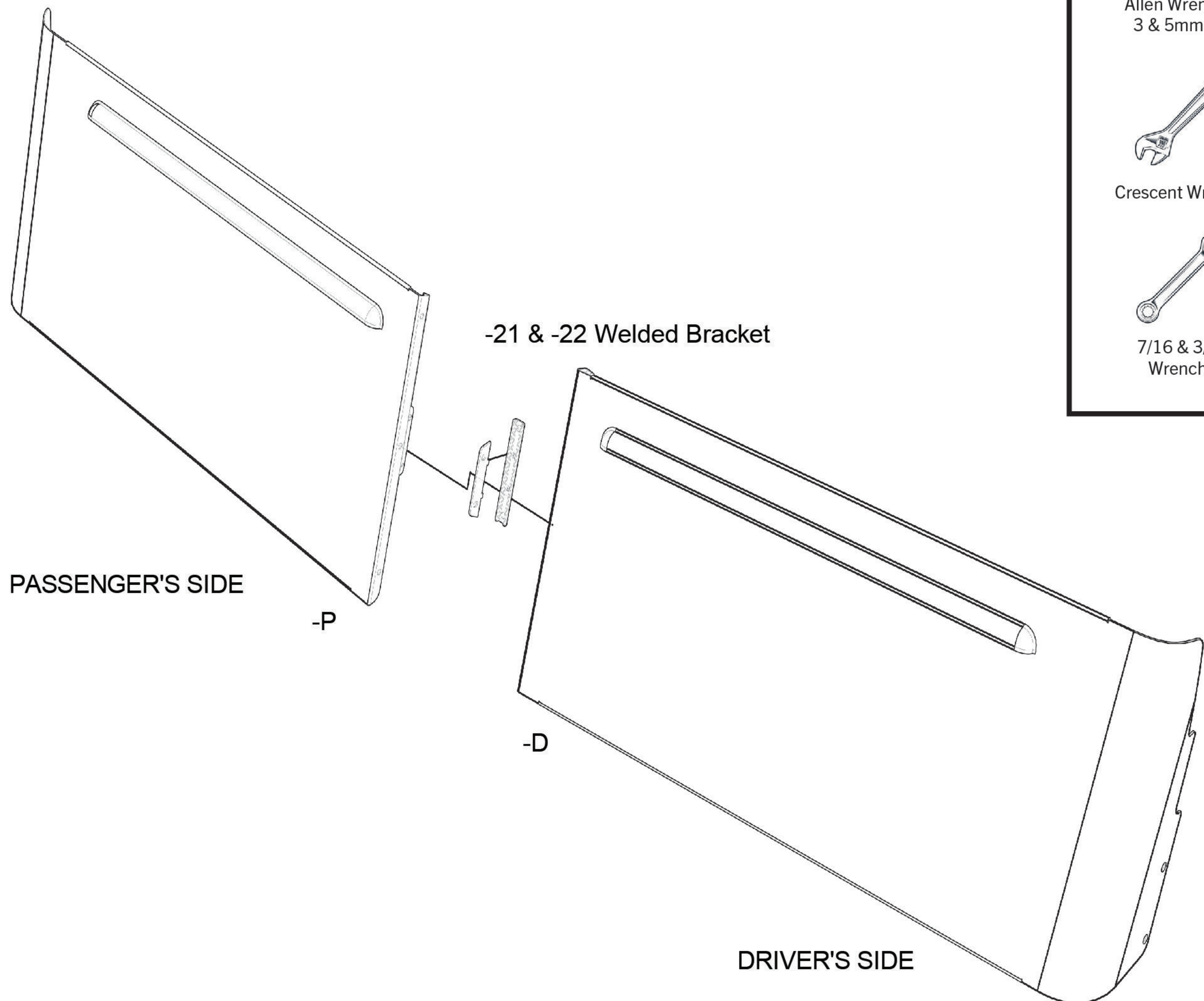
Allen Wrench
3 & 5mm



Crescent Wrench



7/16 & 3/8
Wrench

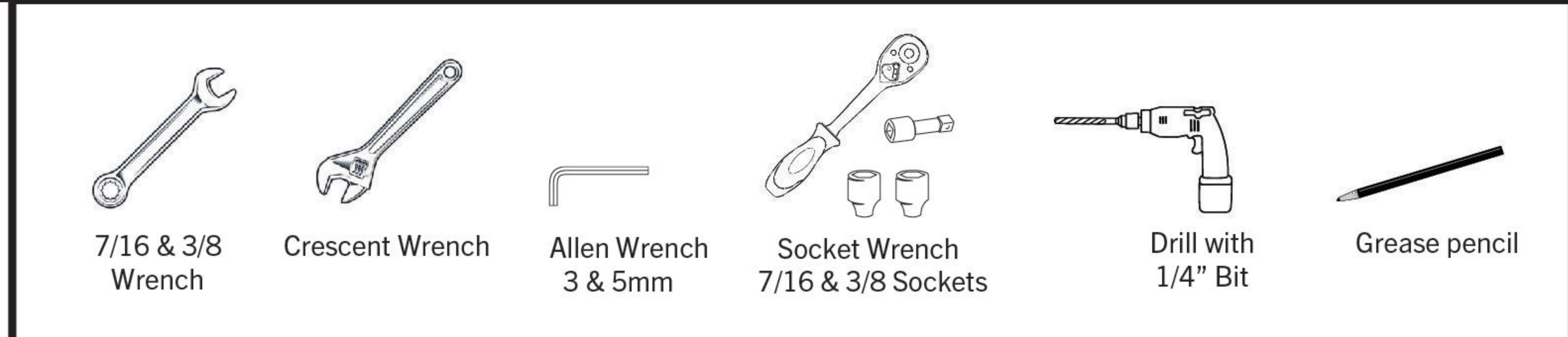


2

I - Sheet Number <PB ULTRA/ FLAT CAB - TSUN-P61 >

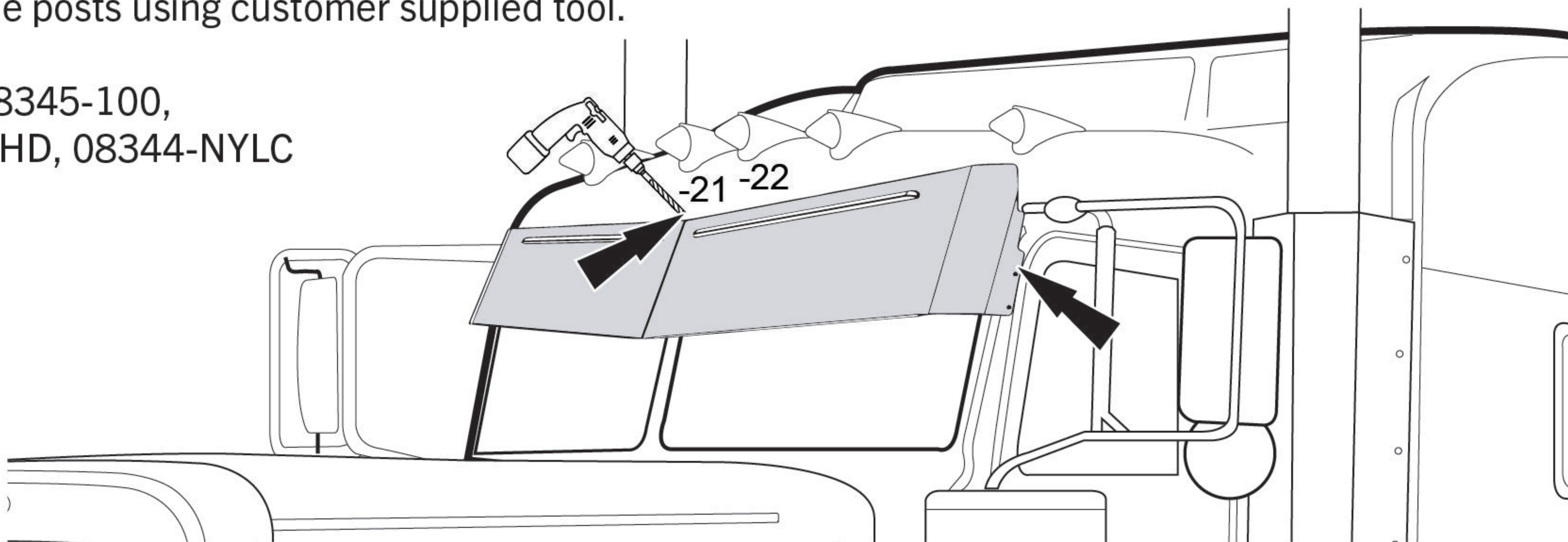
Installation Steps

NOTE: Actual application may vary slightly from illustrations.



Place the visor assembly onto the cab of the truck aligning the visor skins to the mirror brackets. Do not over tighten. Mark the bracket hole locations on brackets -21 and -22 on the cab of the truck using a grease pencil or equivalent. Remove the visor assembly and set aside. Drill the marked locations on the center post and install (08175) nutserts on the outside posts using customer supplied tool.

Hardware: 08345-100,
08344-FLATHD, 08344-NYLC

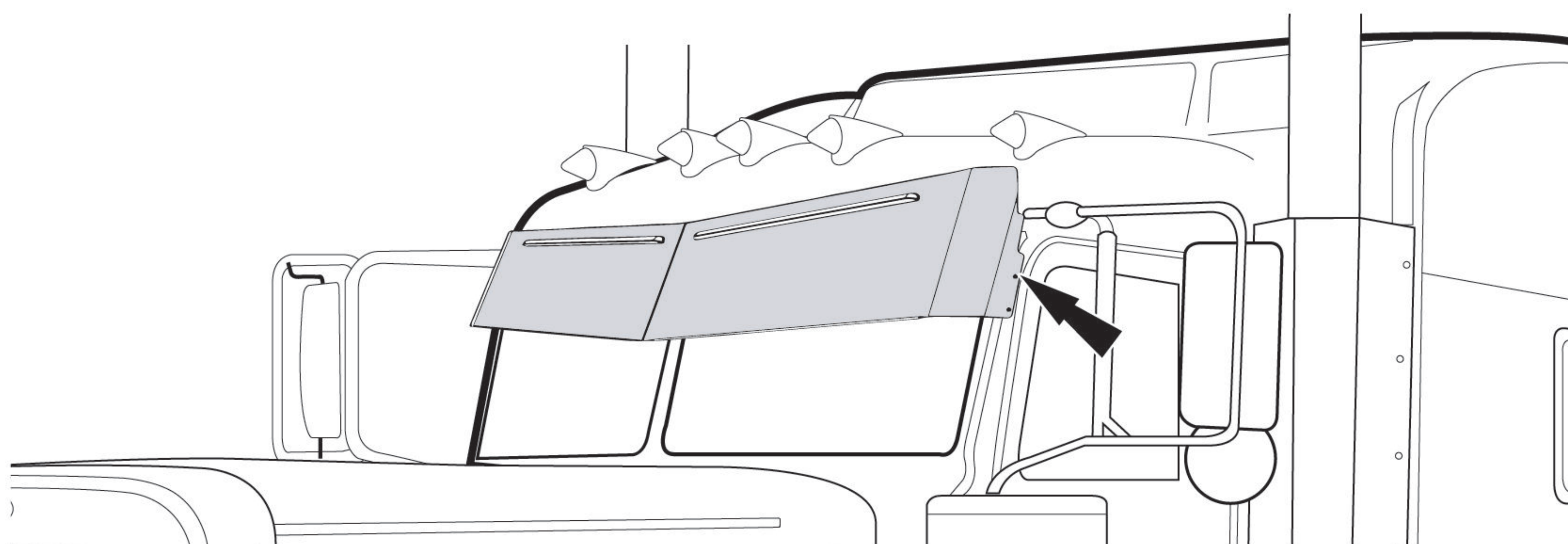


3

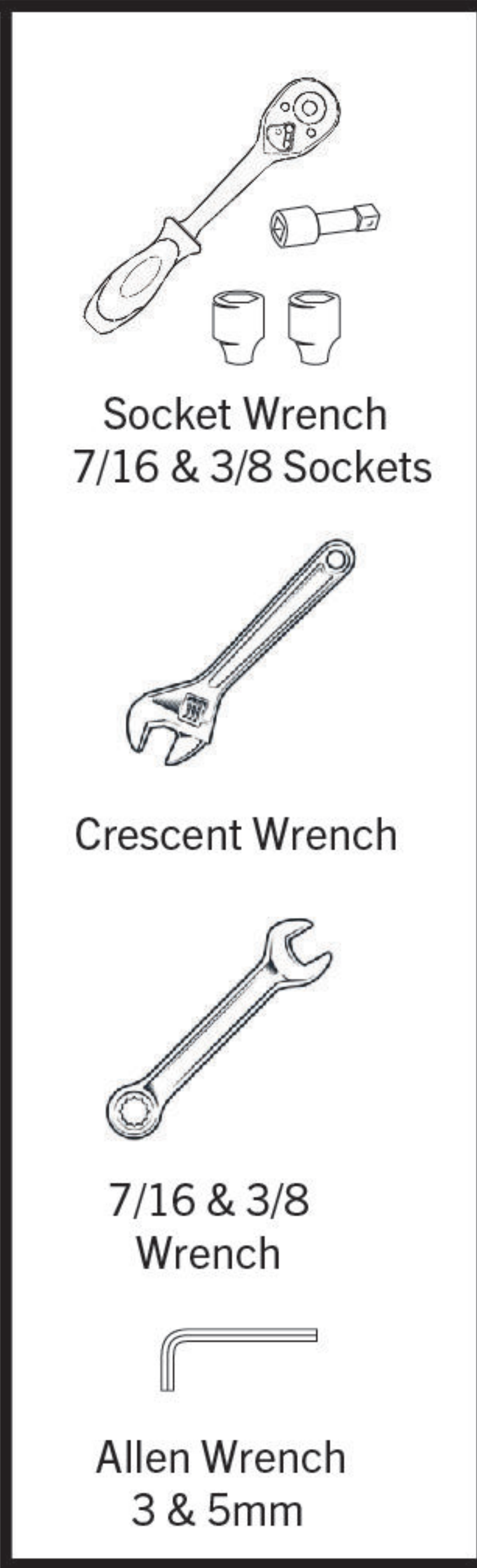
DRIVER'S SIDE

Refit your visor assembly to the cab of the truck utilizing all bracket mounting points. Tightening the bolts as adjustments are made for the final fit.

Hardware: (08318-075) Used for the Brass nutsert in the outside posts



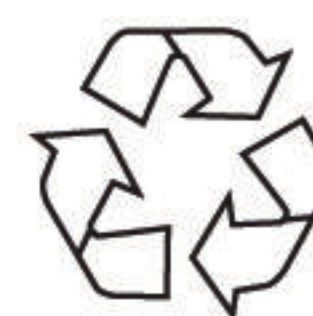
DRIVER'S SIDE



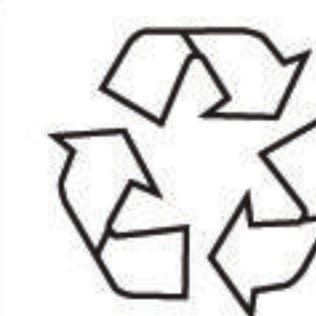
4

Care and Cleaning

- Wash and polish your new Visor using premium Detail Products.



The material that your product is made from can be recycled. Please also consider recycling the packaging that your product came in.



Congratulations!